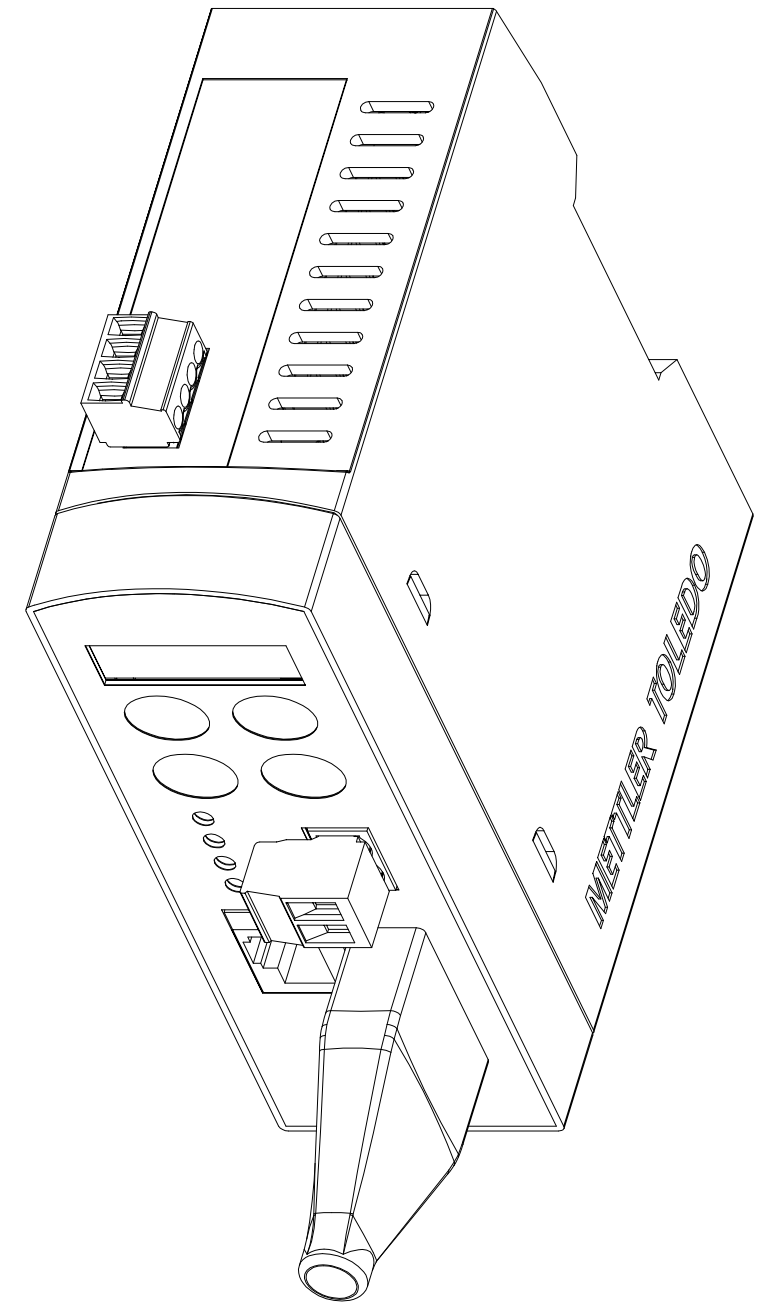
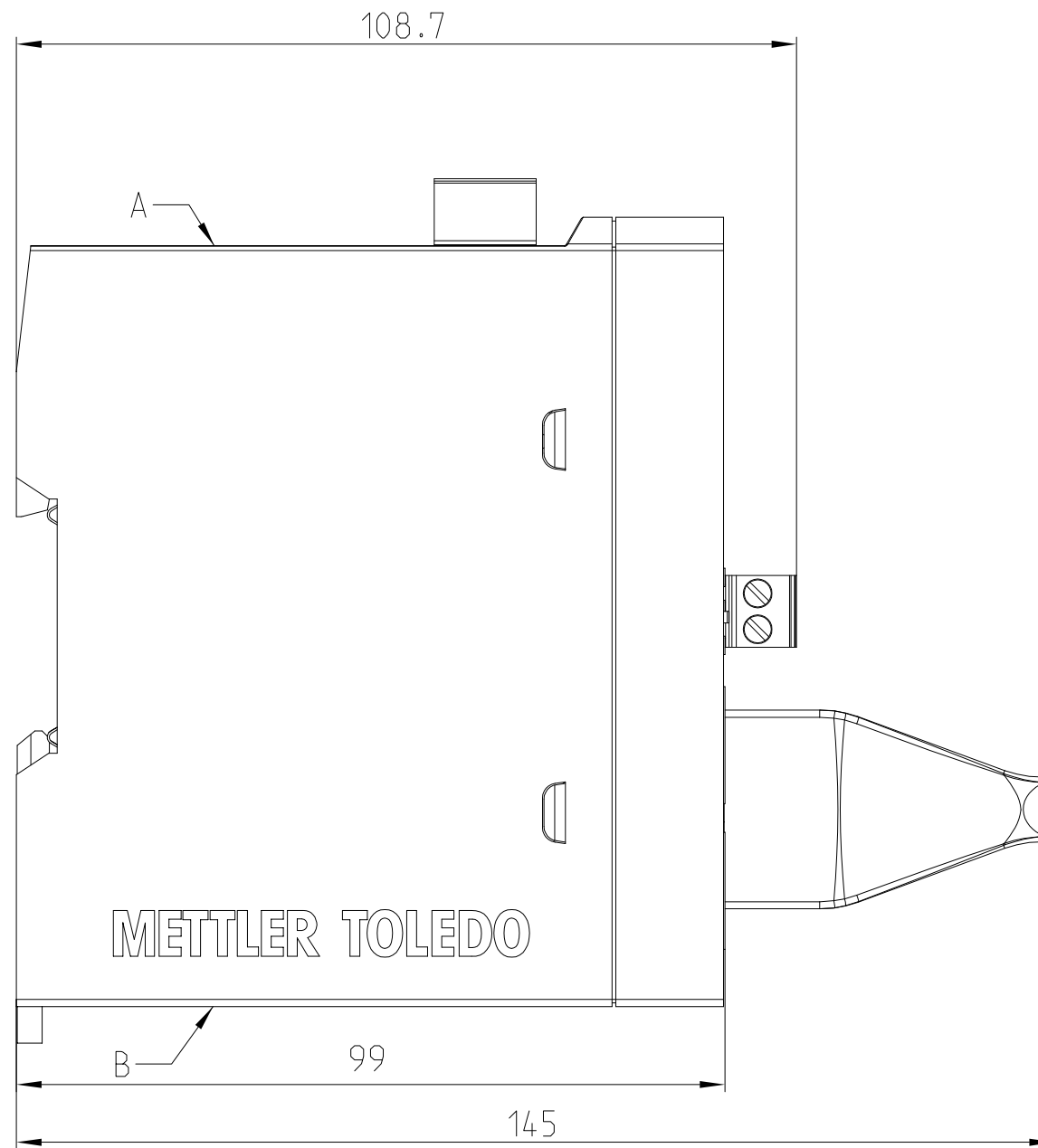
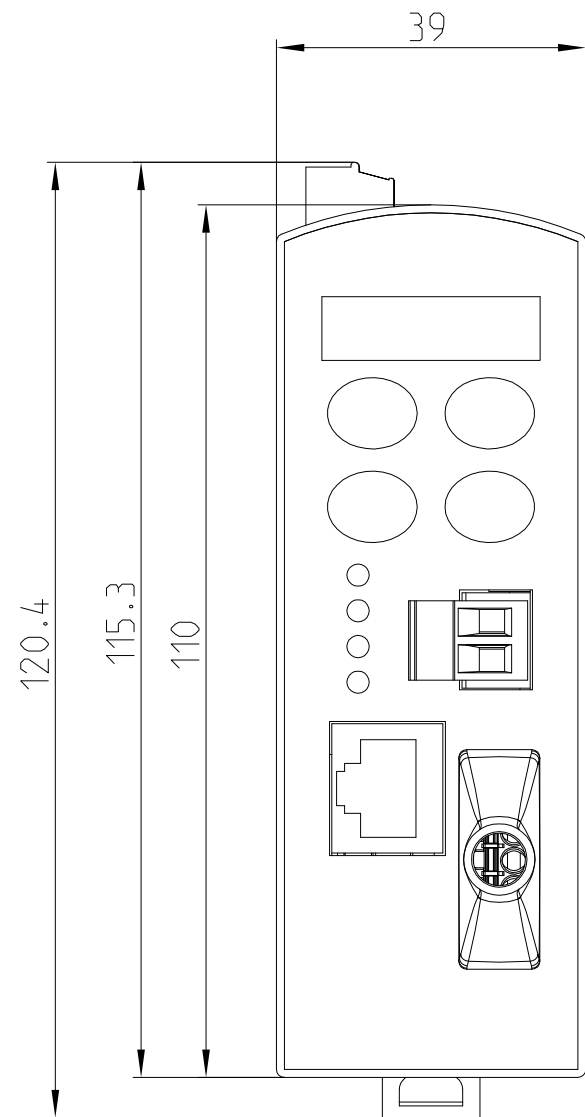
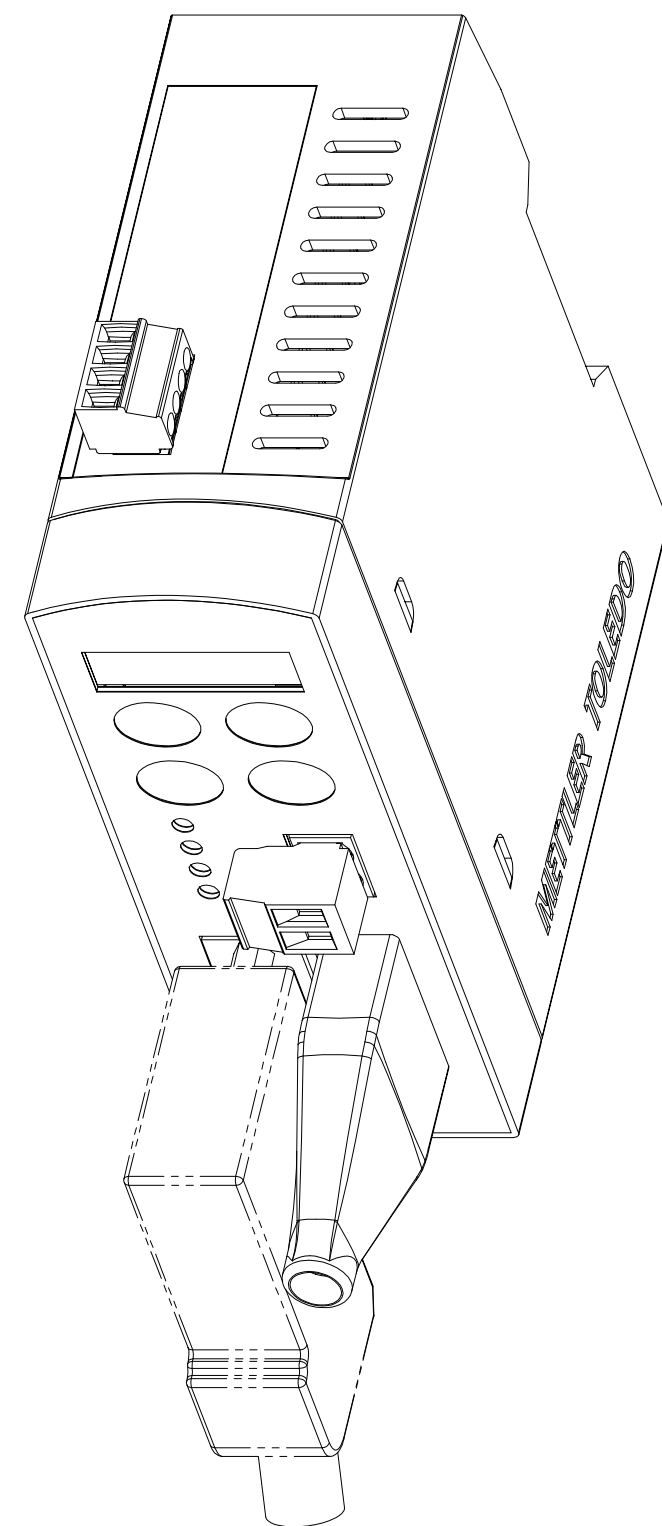
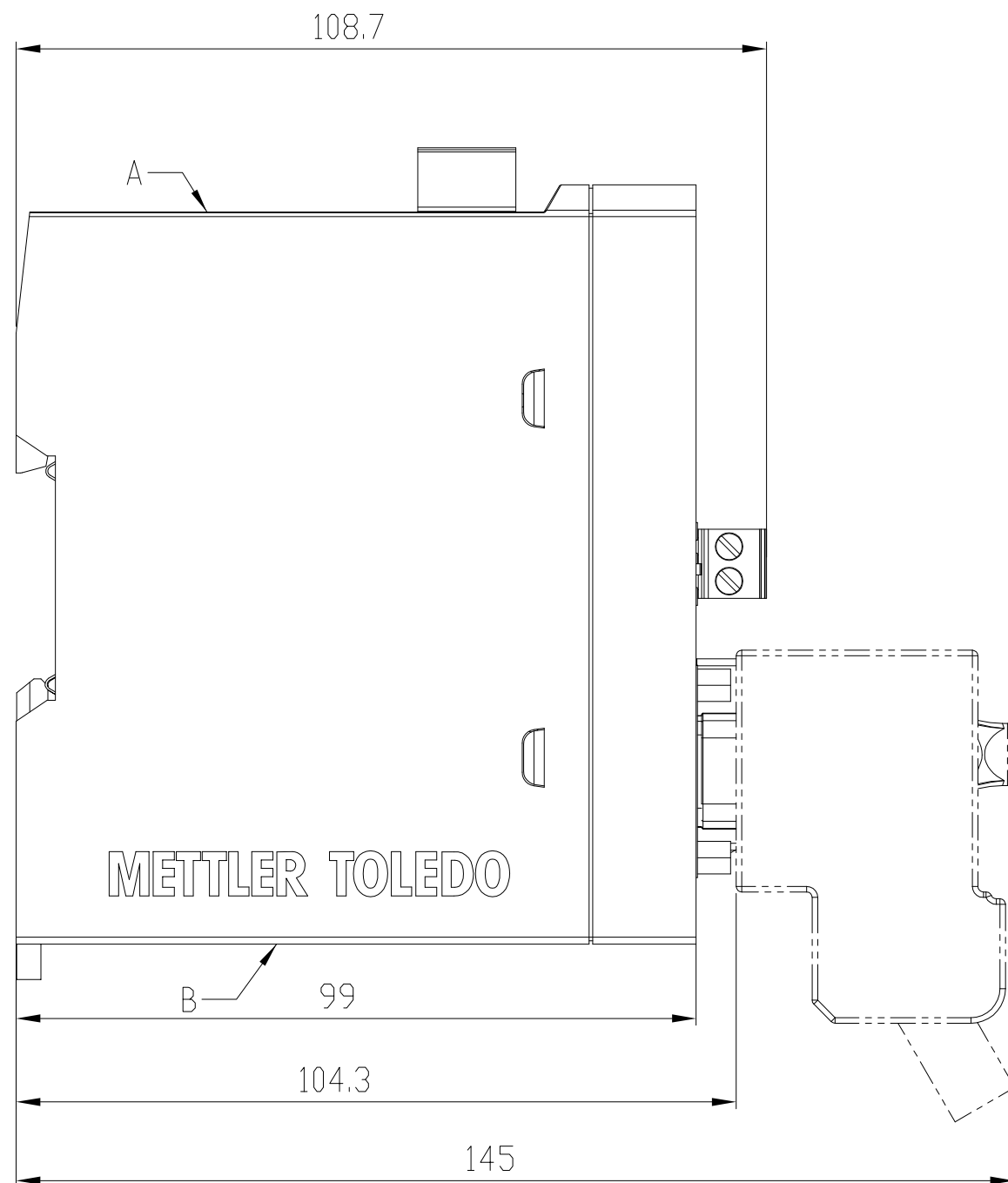
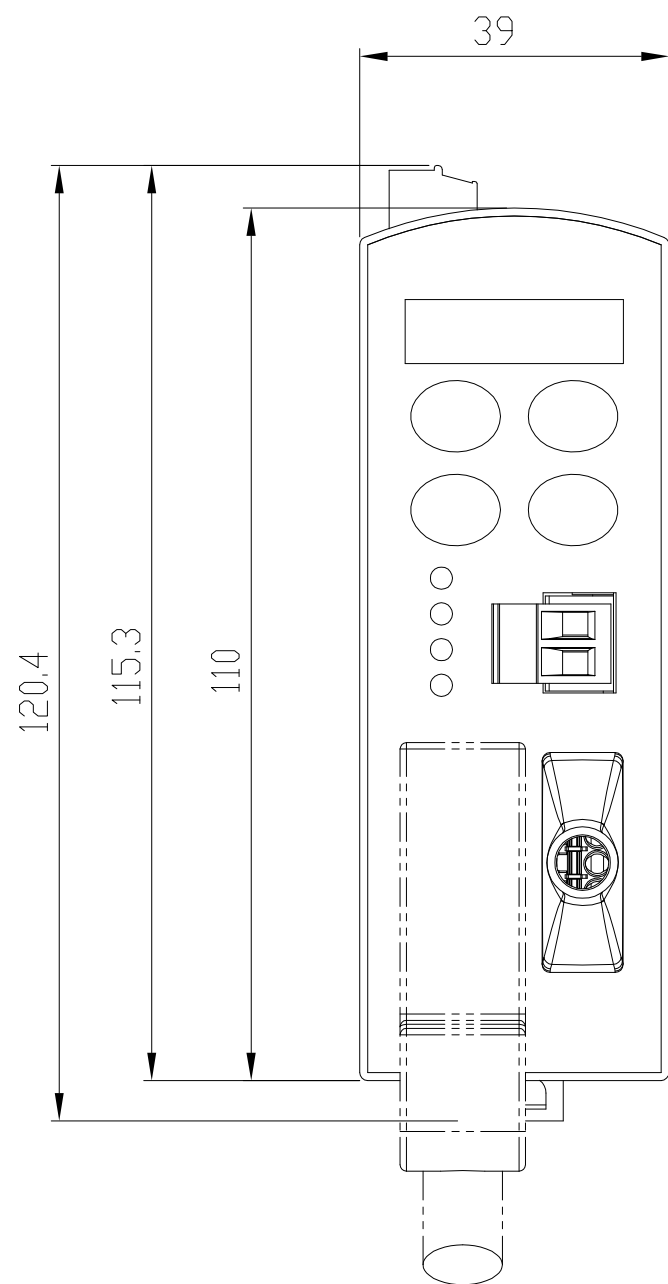


"A" and "B" surface shall be kept free for venting.



METTLER TOLEDO			Drawn	BIBEK REGMI	2017.01.12.	Scale	1:1		
			Change	-	-	Format	DIN A3		
Refer to protection notice ISO 16016 / Schutzvermerk ISO 16016 beachten			Note	-	-	Replaces	-		
Description 总体尺寸图 ACT350 DIN PRNT/ETIP General Dimension Drawing ACT350 DIN PRNT/ETIP			Drawing No 30345008				Revision A		
Model:		Rel.Level:		Units: MM		Drawing:		Rel.Level: Sheet: 1/1	

"A" and "B" surface shall be kept free for venting.



METTLER TOLEDO

Refer to protection notice ISO 16016 / Schutzvermerk ISO 16016 beachten

Description 总体尺寸图 ACT350 DIN PBDP
General Dimension Drawing ACT350 DIN PBDP

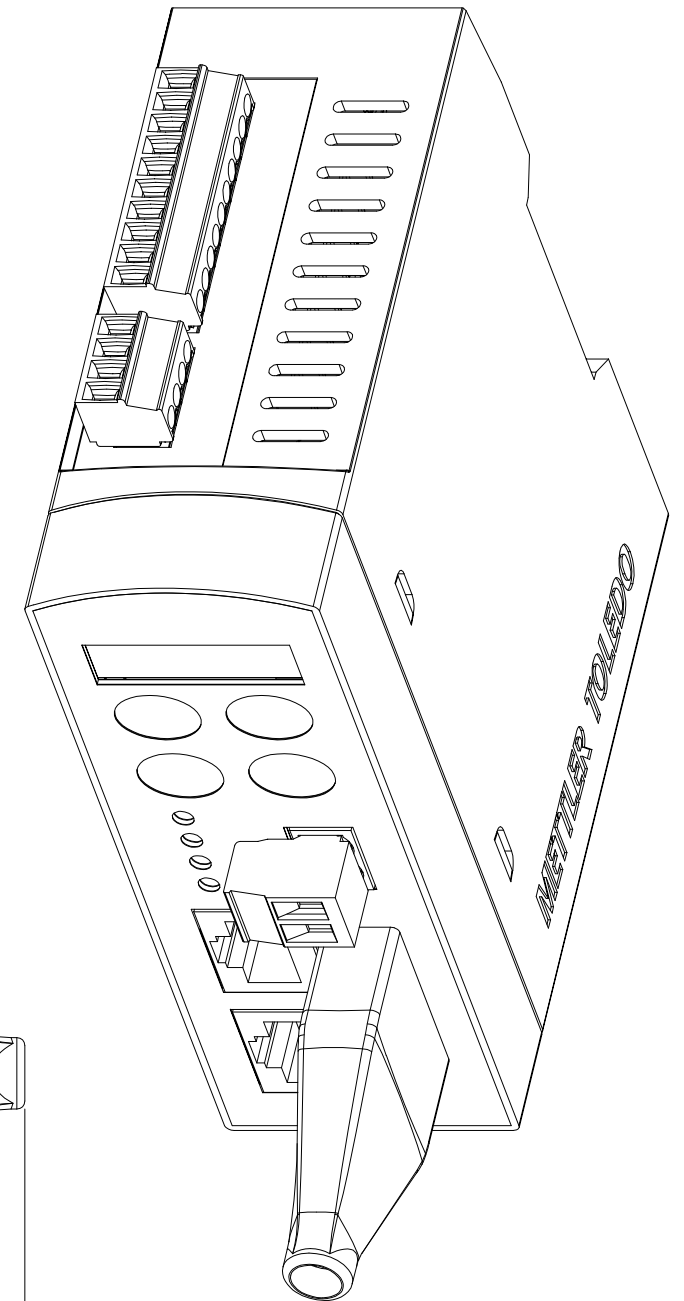
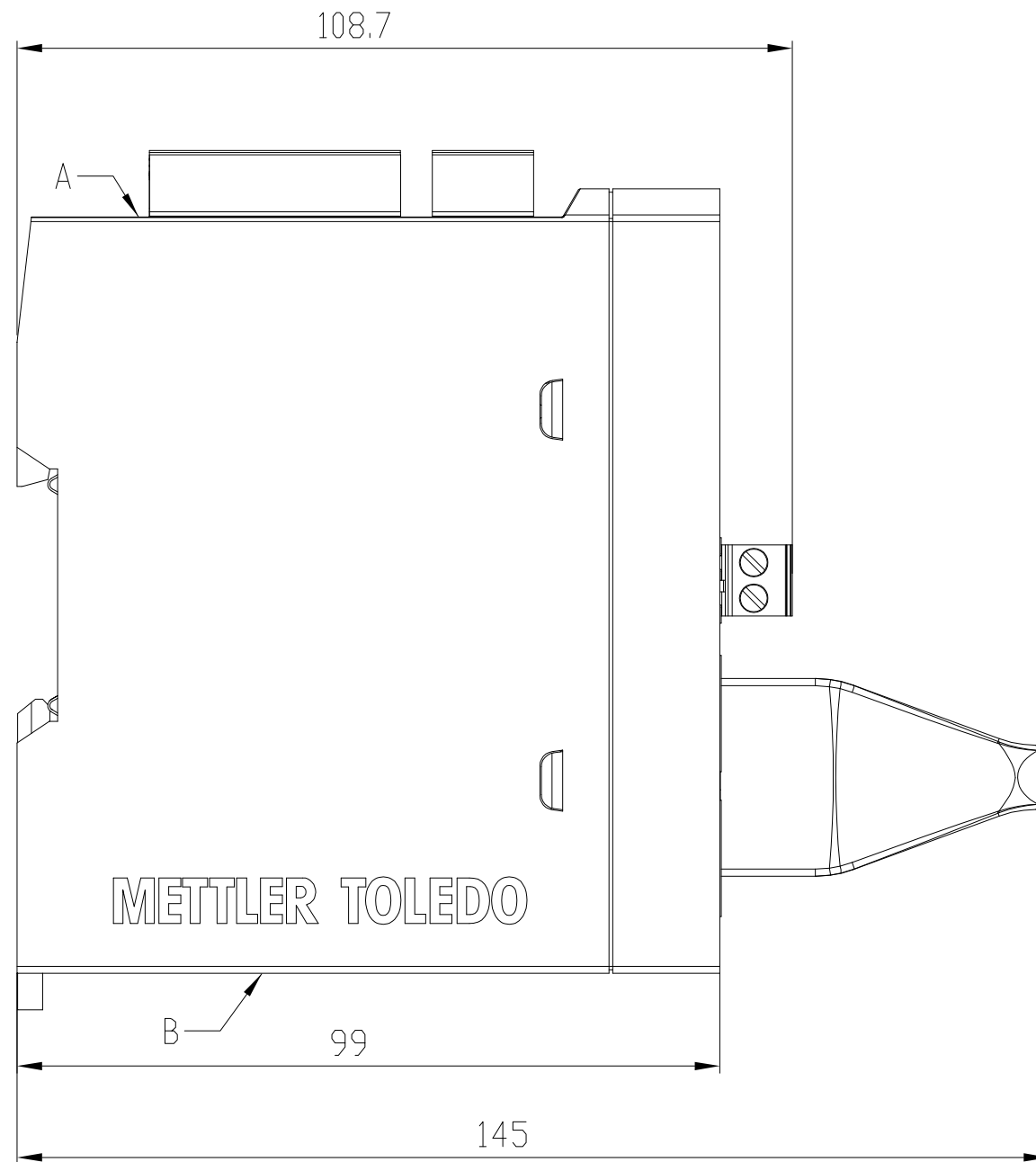
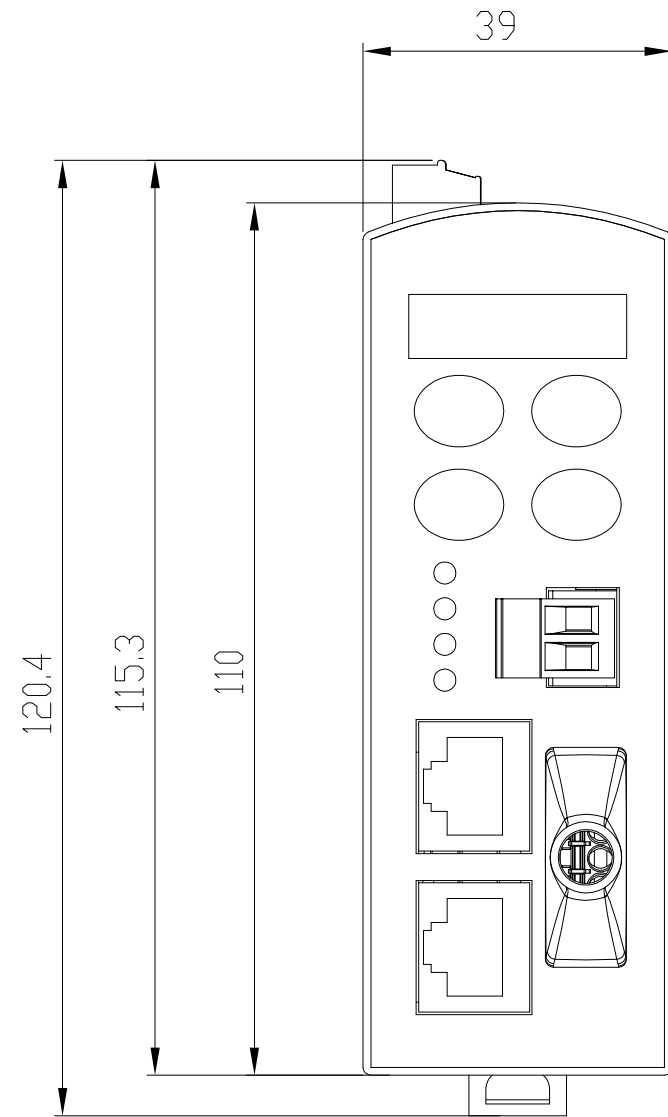
Model: Rel.Level: Units: MM

Drawn	BIBEK REGMI	2017.01.12.	Scale	1:1
Change	-	-	Format	DIN A3
Note	-	-	Replaces	-

Drawing No	30345009	Revision	A
------------	----------	----------	---

Drawing:	Rel.Level:	Sheet:	1/1
----------	------------	--------	-----

"A" and "B" surface shall be kept free for venting.



METTLER TOLEDO

Refer to protection notice ISO 16016 / Schutzvermerk ISO 16016 beachten

Description 总体尺寸图 ACT350DIO DIN PRNT/ETIP
General Dimension Drawing ACT350DIO DIN PRNT/ETIP

Model:

Rel.Level:

Units: MM

Drawn BIBEK REGMI 2017.01.12.

Change - -

Note - -

Drawing No
30345006

Drawing:

Rel.Level:

Scale 1:1

Format DIN A3

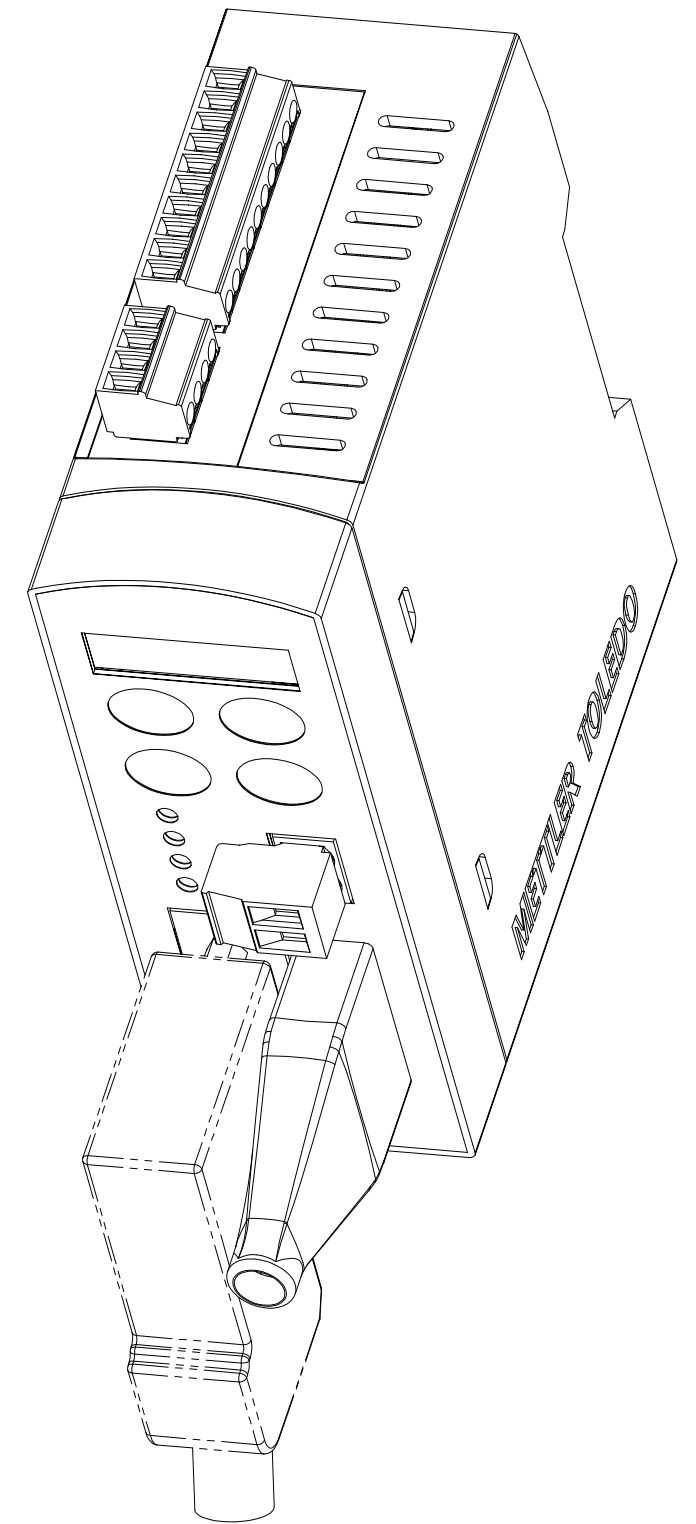
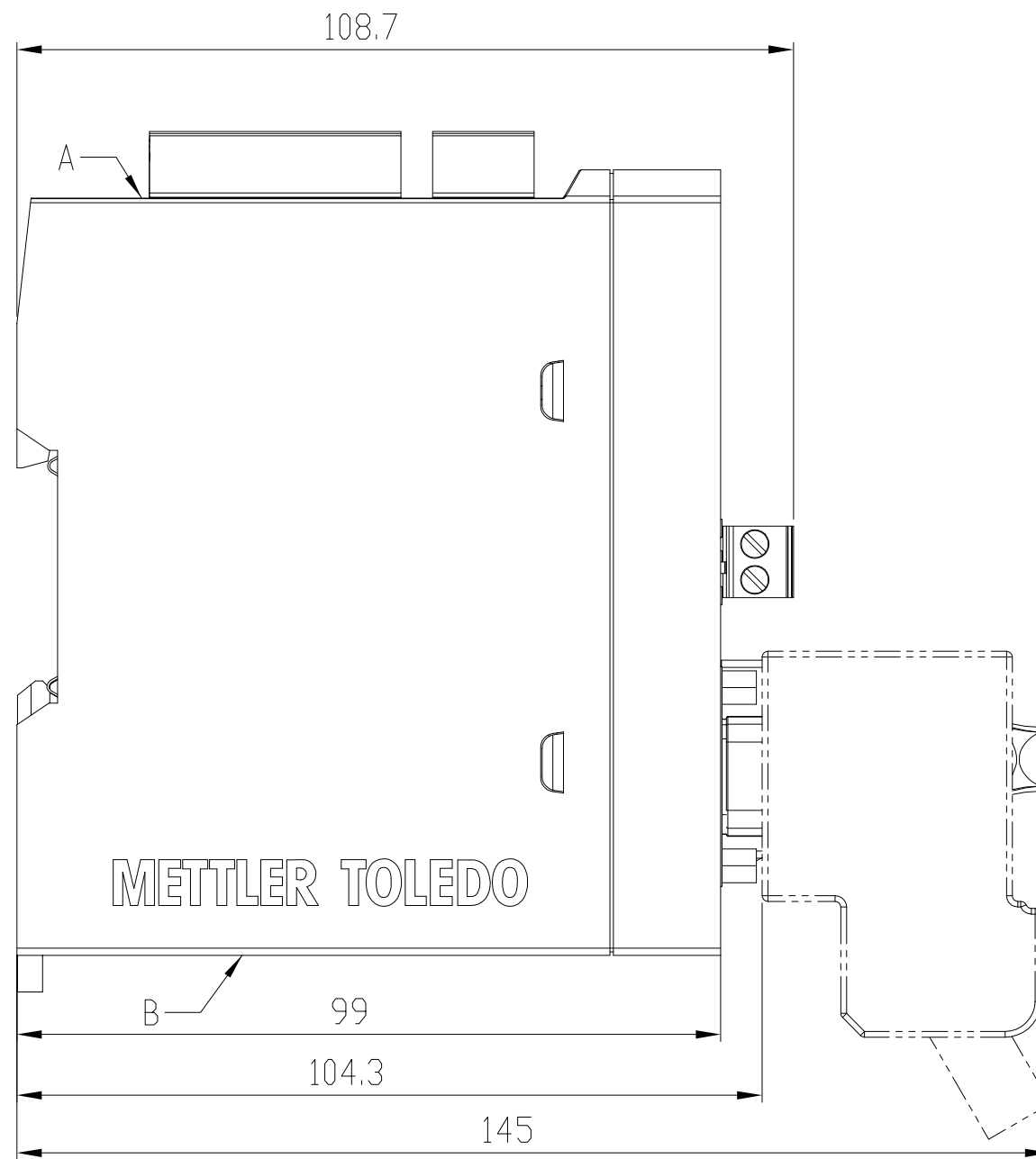
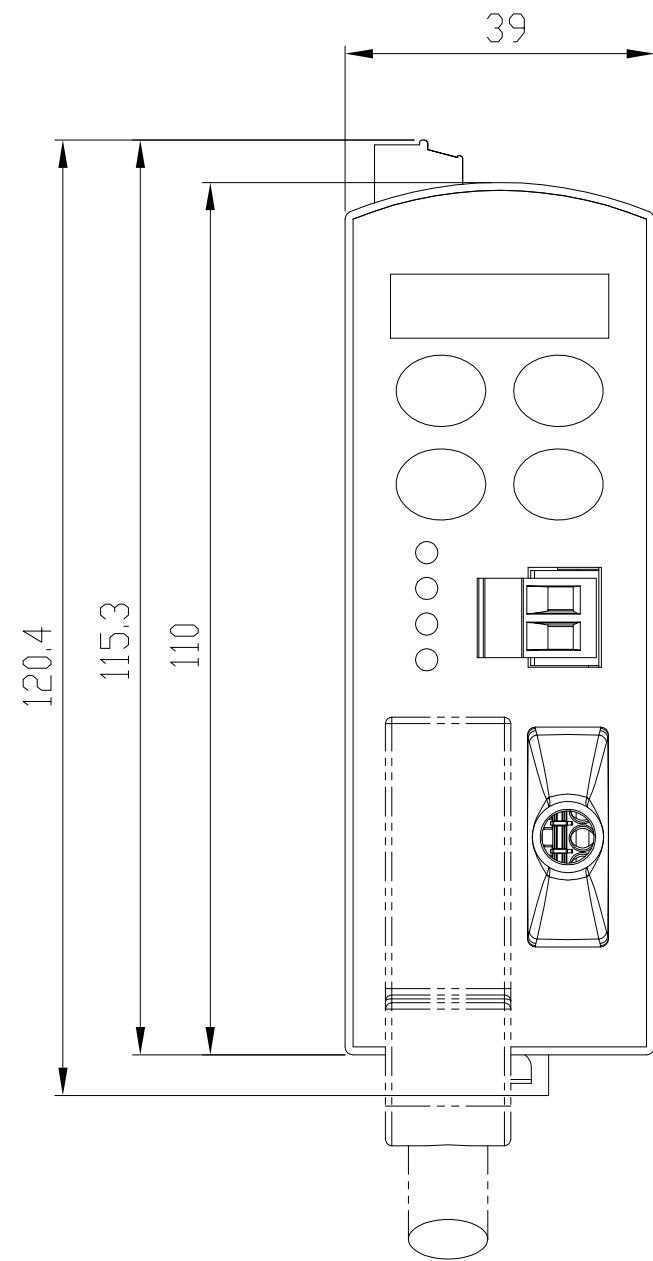
Replaces -

Revision

A

Sheet: 1/1

"A" and "B" surface shall be kept free for venting.



METTLER TOLEDO

Refer to protection notice ISO 16016 / Schutzvermerk ISO 16016 beachten

Description 总体尺寸图 ACT350DIO DIN PBDP
General Dimension Drawing ACT350DIO DIN PBDP

Model: Rel.Level: Units: MM

Drawn	BIBEK REGMI	2017.01.12.	Scale	1:1
Change	-	-	Format	DIN A3
Note	-	-	Replaces	-

Drawing No	Revision
30345007	A

Drawing:	Rel.Level:	Sheet:	1/1
----------	------------	--------	-----